

STEEL NOTES:

- STRUCTURAL STEEL SHALL CONFORM TO CSA G40.20-13 AND ERECTION TO CSA S16.1-14, STEEL GRADE 50 KSI, PLATE & ANGLE GRADE 44 KSI.
- WELDING MATERIALS SHALL CONFORM TO CSA W48.06.
- WELDING SHALL CONFORM TO CSA W59-13 AND SHALL BE CARRIED OUT BY WELDERS QUALIFIED BY THE CANADIAN WELDING BUREAU. USE E490XX ELECTRODES.
- ALL STEEL SHALL BE PRIMED AND PAINTED WITH 2 COATS OF PAINT.
- ALL FIELD DRILLED HOLES SHALL AND FIELD WELDS TO BE CLEANED OF BURRS AND ROUGH EDGES. TOUCH UP EXPOSED STEEL WITH 2 COATS OF PAINT.
- BOLT HOLE TOLERANCE IS BOLT DIA. + 2mm.
- CONTRACTOR TO SITE VERIFY ALL DIMENSIONS PRIOR TO FABRICATING STEEL.
- CONNECTIONS NOT NOTED ON PLANS SHALL BE MIN. 6mm FILLET WELD ALL AROUND.
- DECK PAN SHALL BE FUSION WELDED TO STRUCTURE WITH MIN 20mm DIA. PUDDLE WELDS @ 150mm c.c. PROVIDE CLOSURES AS INDICATED.
- ALL ANCHORS & BOLTS TO BE MIN A307 GRADE. ALL FASTENERS EXPOSED TO EXTERIOR CLIMATE SHALL BE HOT DIPPED GALVANIZED.

CONCRETE NOTES:

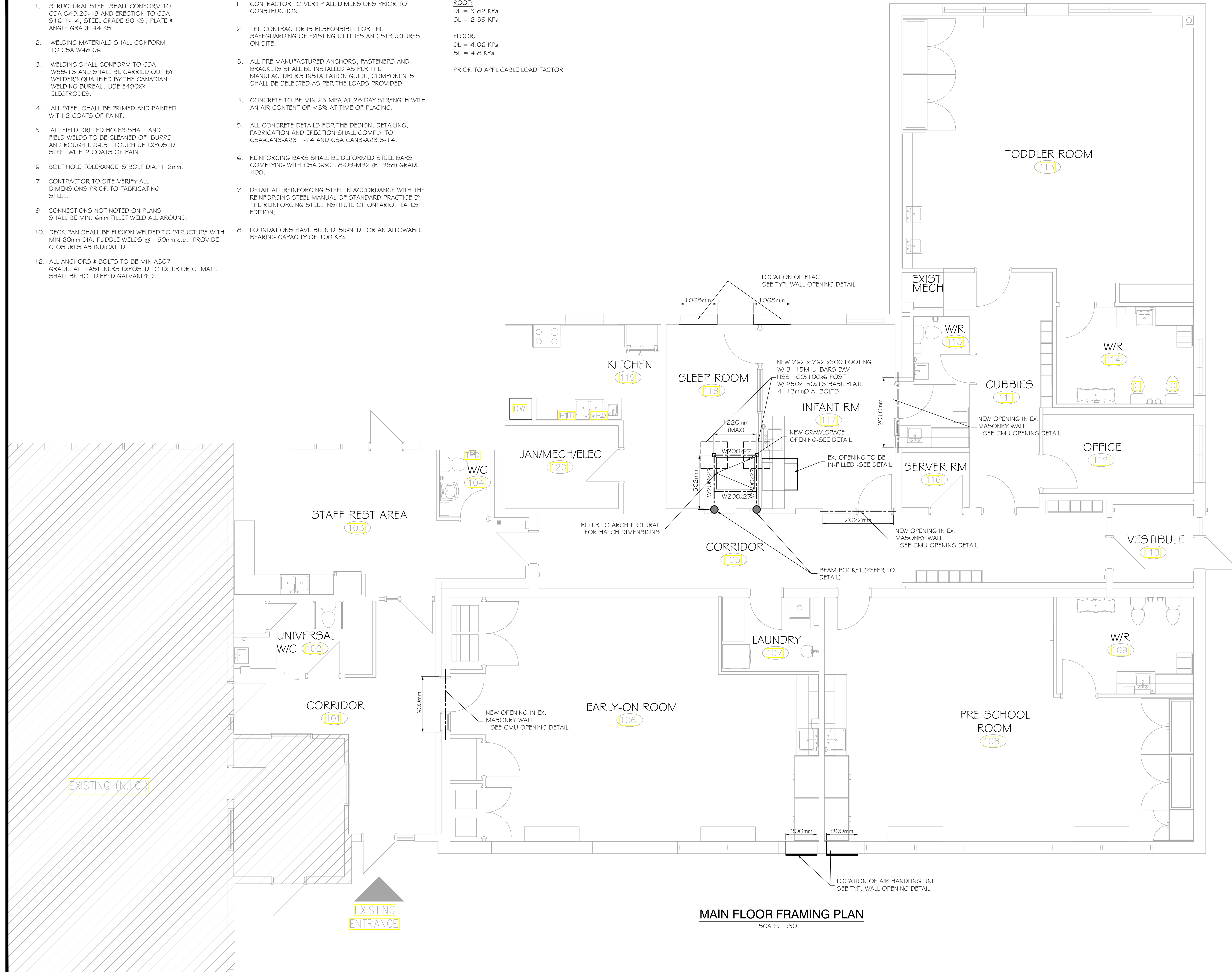
- CONTRACTOR TO VERIFY ALL DIMENSIONS PRIOR TO CONSTRUCTION.
- THE CONTRACTOR IS RESPONSIBLE FOR THE SAFEGUARDING OF EXISTING UTILITIES AND STRUCTURES ON SITE.
- ALL PRE MANUFACTURED ANCHORS, FASTENERS AND BRACKETS SHALL BE INSTALLED AS PER THE MANUFACTURER'S INSTALLATION GUIDE. COMPONENTS SHALL BE SELECTED AS PER THE LOADS PROVIDED.
- CONCRETE TO BE MIN 25 MPA AT 28 DAY STRENGTH WITH AN AIR CONTENT OF <3% AT TIME OF PLACING.
- ALL CONCRETE DETAILS FOR THE DESIGN, DETAILING, FABRICATION AND ERECTION SHALL COMPLY TO CSA-CAN3-A23.1-14 AND CSA CAN3-A23.3-14.
- REINFORCING BARS SHALL BE DEFORMED STEEL BARS COMPLYING WITH CSA G30.18-09-M92 (R1998) GRADE 400.
- DETAIL ALL REINFORCING STEEL IN ACCORDANCE WITH THE REINFORCING STEEL MANUAL OF STANDARD PRACTICE BY THE REINFORCING STEEL INSTITUTE OF ONTARIO. LATEST EDITION.
- FOUNDATIONS HAVE BEEN DESIGNED FOR AN ALLOWABLE BEARING CAPACITY OF 100 KPa.

DESIGN LOADS:

ROOF:
DL = 3.82 KPa
SL = 2.39 KPa

FLOOR:
DL = 4.06 KPa
SL = 4.8 KPa

PRIOR TO APPLICABLE LOAD FACTOR



MAIN FLOOR FRAMING PLAN
SCALE: 1:50

No.	By	Date	Revisions
3	B.O.B.	2020 02 11	REVISED FLOOR HATCH
2	B.O.B.	2020-01-08	REVISED SUSPENDED SLAB
1	B.O.B.	2019 12 10	ISSUED FOR PERMIT
0	B.O.B.	2019 11 11	FOR REVIEW

All drawings, specifications and related documents are the copyright property of the Engineer and must be returned upon request. Reproduction of drawings, specifications, and related documents in part or whole is forbidden without the Engineers' written permission.

The contractor must check and verify all dimensions on the job prior to start of construction.

DRAWINGS ARE NOT TO BE SCALED

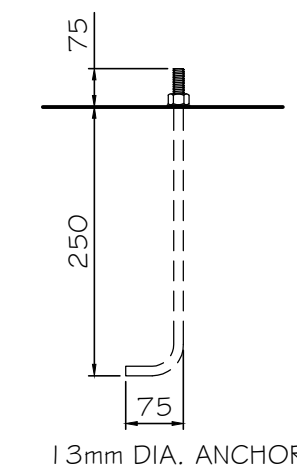
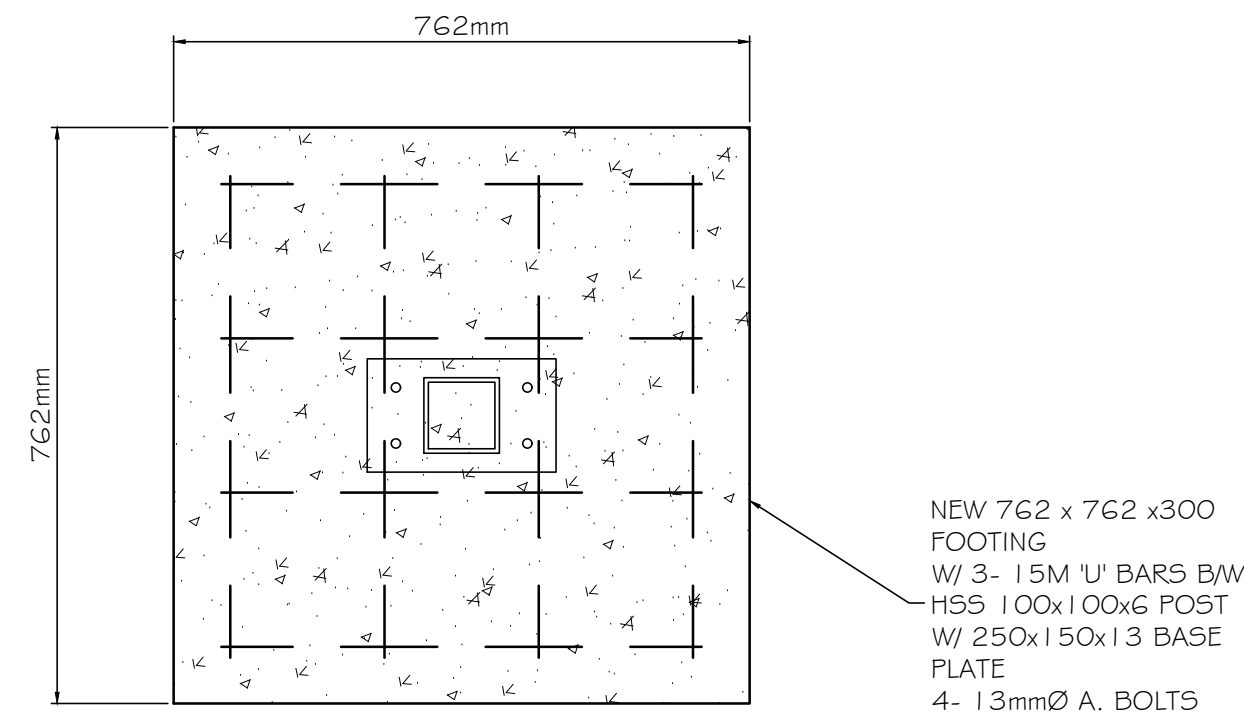


EASTERN ENGINEERING GROUP INC.
CONSULTING ENGINEERS
Apex Building
100 Strowger Blvd. Suite 207
Brockville, Ont. K6V 5J9
Telephone: (613) 345-0400
Facsimile: (613) 345-0008
www.EastEng.com

Project Title:
YARKER DAYCARE
4513 CTY. RD.#1
YARKER, ONTARIO.

MAIN FLOOR STRUCTURAL PLAN AND NOTES

Design: B.D.C.	Checked: B.D.C.	Approved: B.D.C.	Project No.: 9003
Drawn: B.O.B.	Checked:	Date: 2019 11 11	Contract No.:
Scale:	Drawing No.:		
Horizontal: AS SHOWN			S1
Vertical: AS SHOWN			

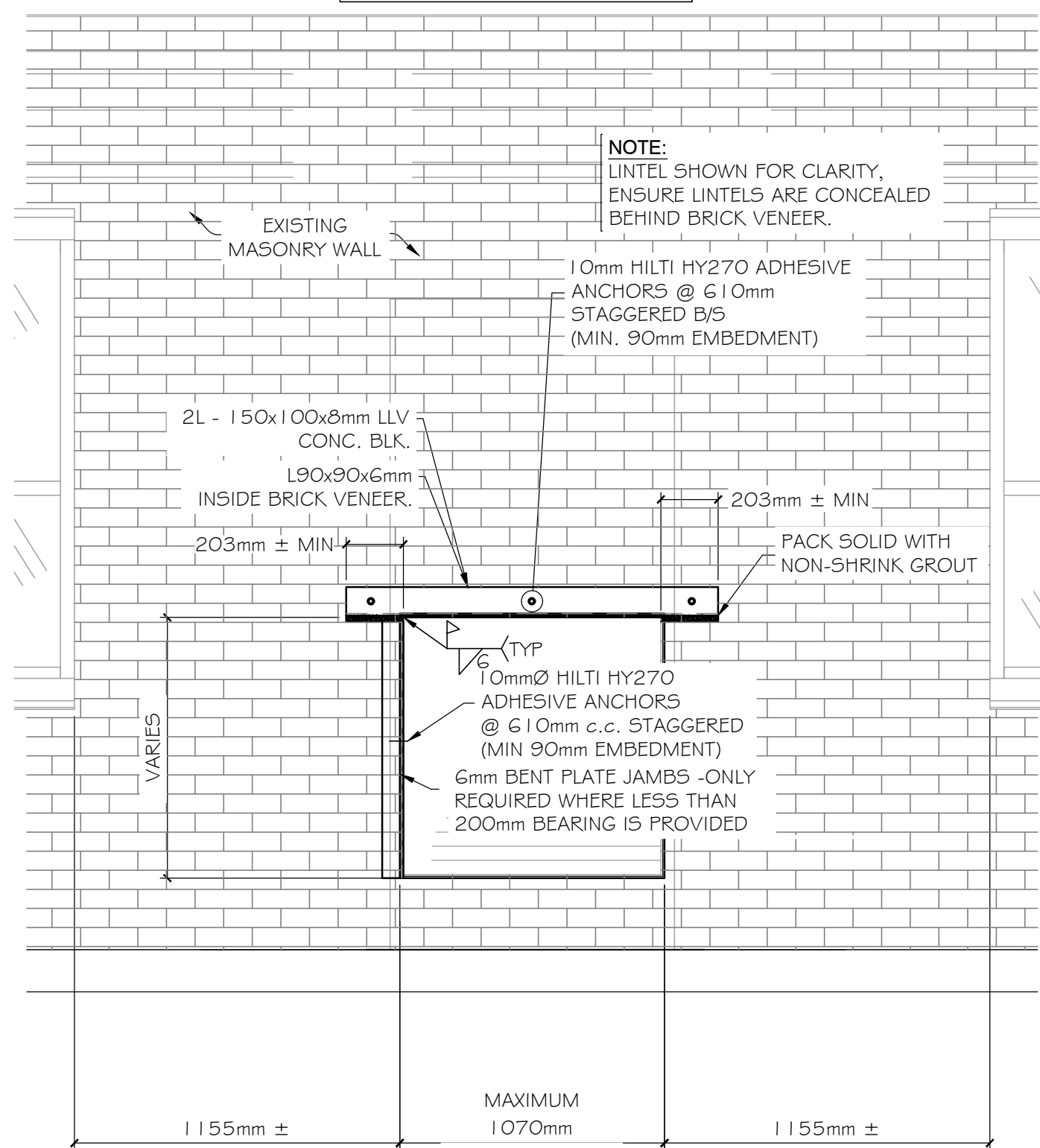


NOTE:
ALL ANCHOR BOLTS TO BE MIN
GRADE F 1554.

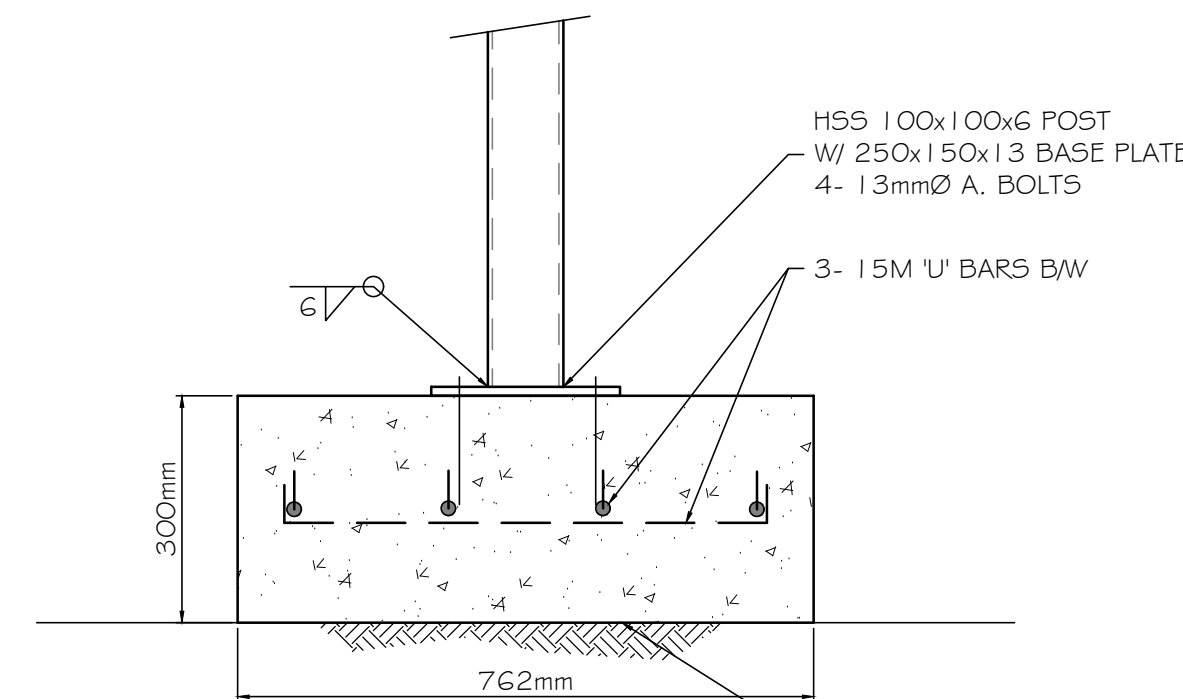
TYPICAL ANCHOR BOLT DETAILS

SCALE: 1:10

DO NOT INTERRUPT BOND BEAM
WITHIN EXISTING CMU WALL

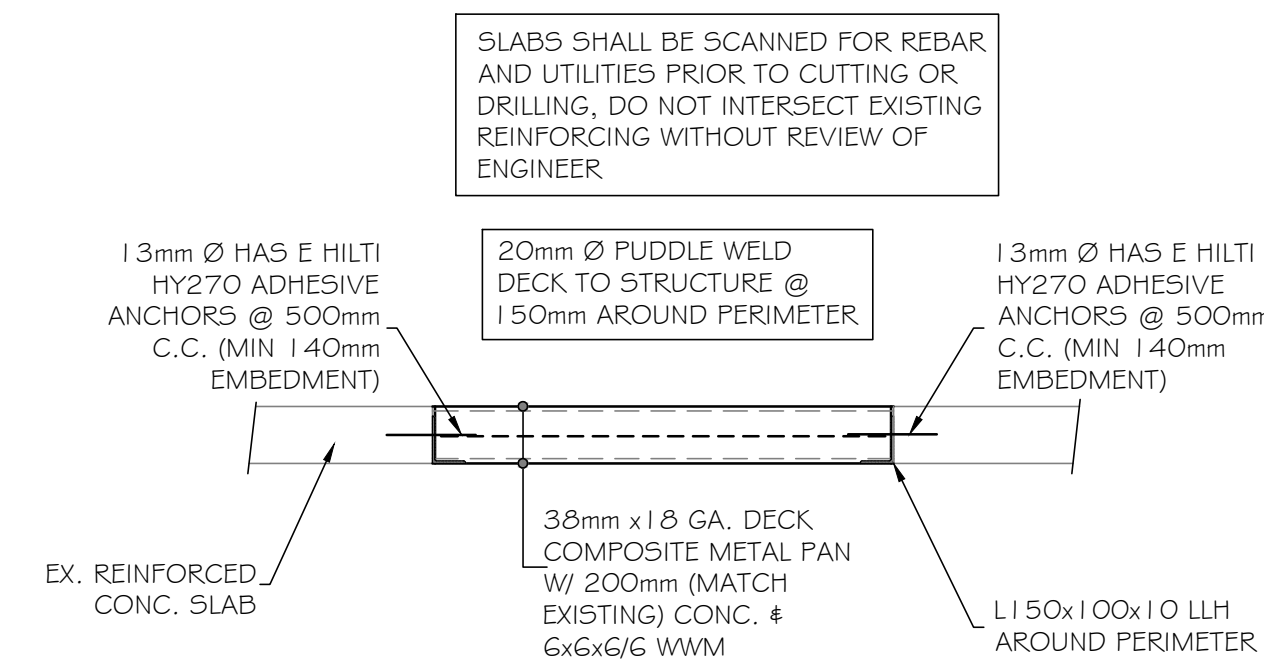


EXTERIOR ELEVATION



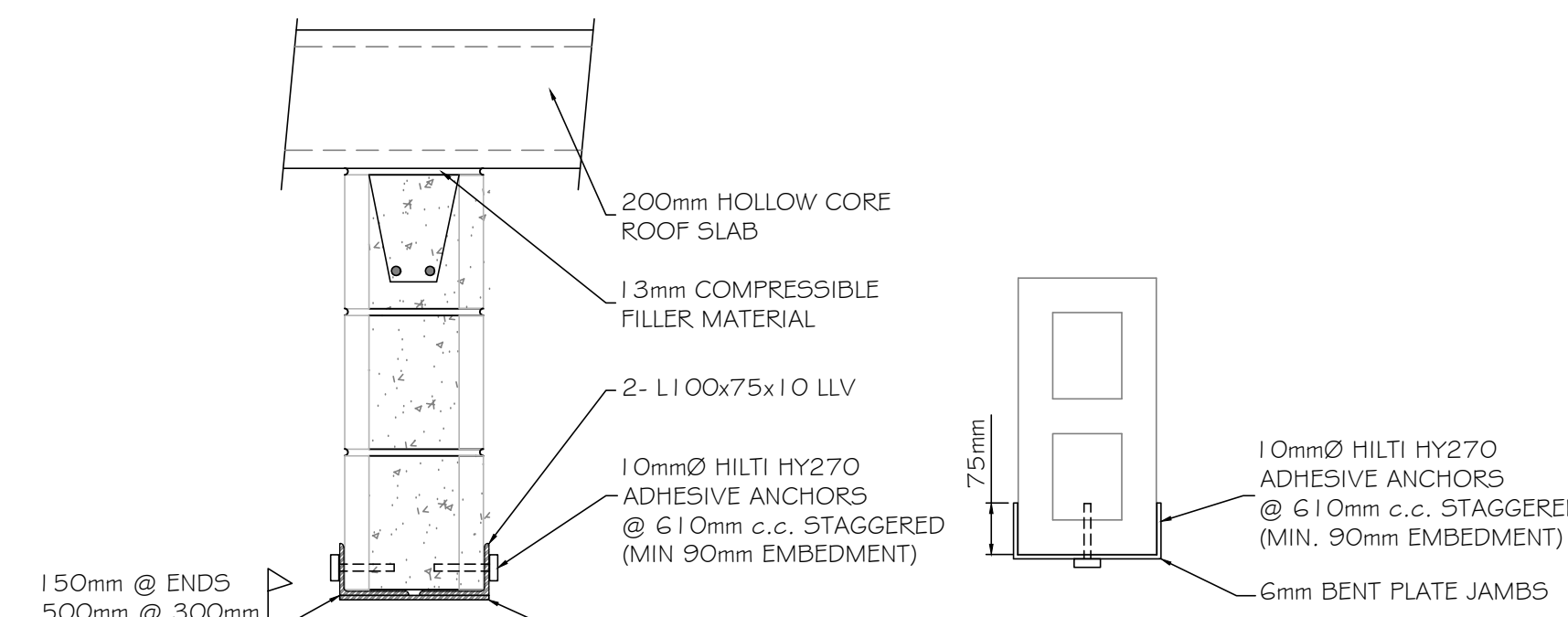
FOOTING DETAIL

SCALE: 1:10



FLOOR INFILL DETAIL

SCALE: 1:20

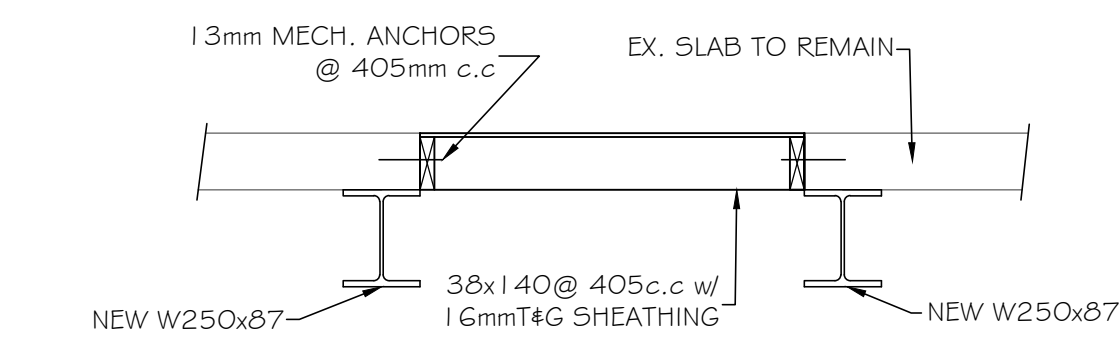


SECTION A-A

SCALE: 1:10

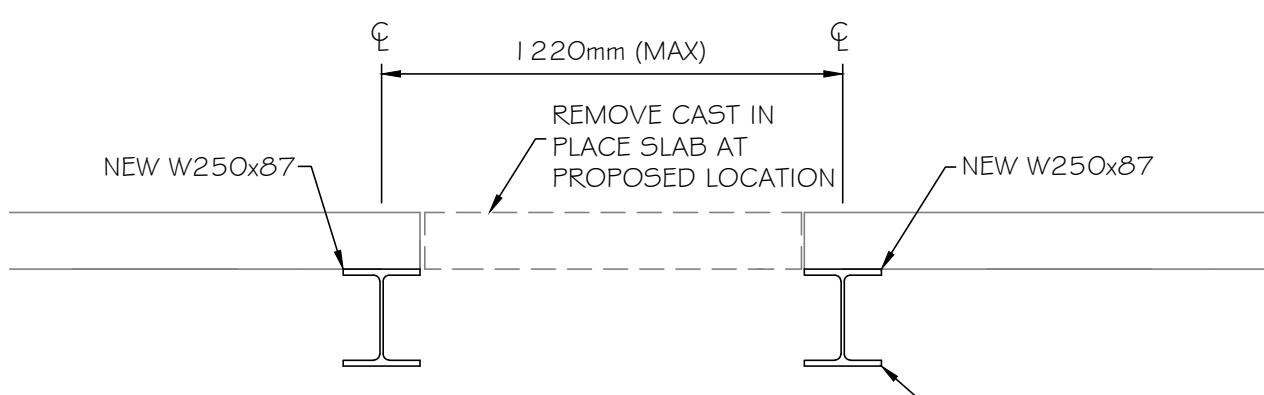
SECTION B-B

SCALE: 1:10



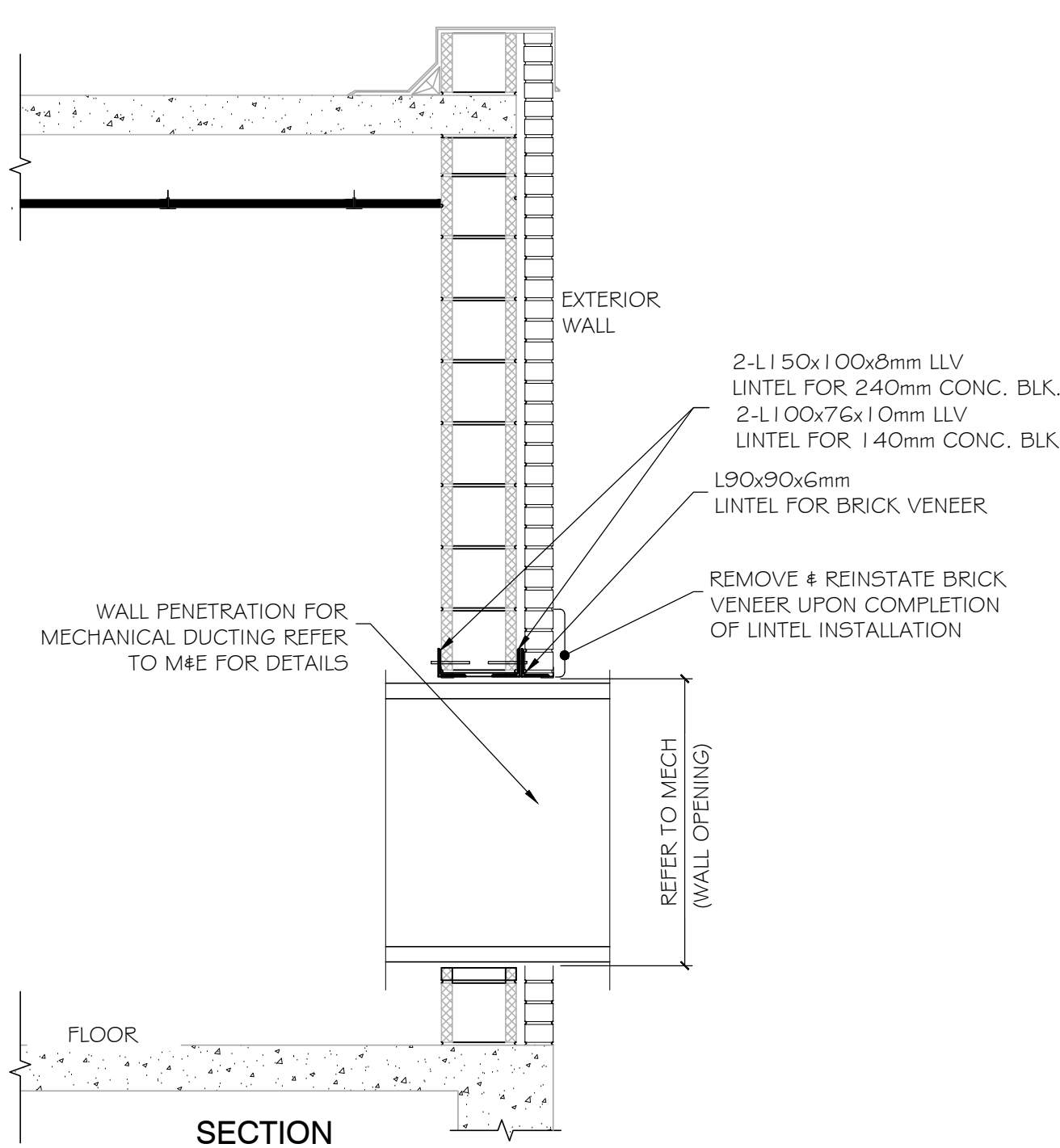
NEW FLOOR FOR CRAWLSPACE ACCESS

SCALE: 1:20



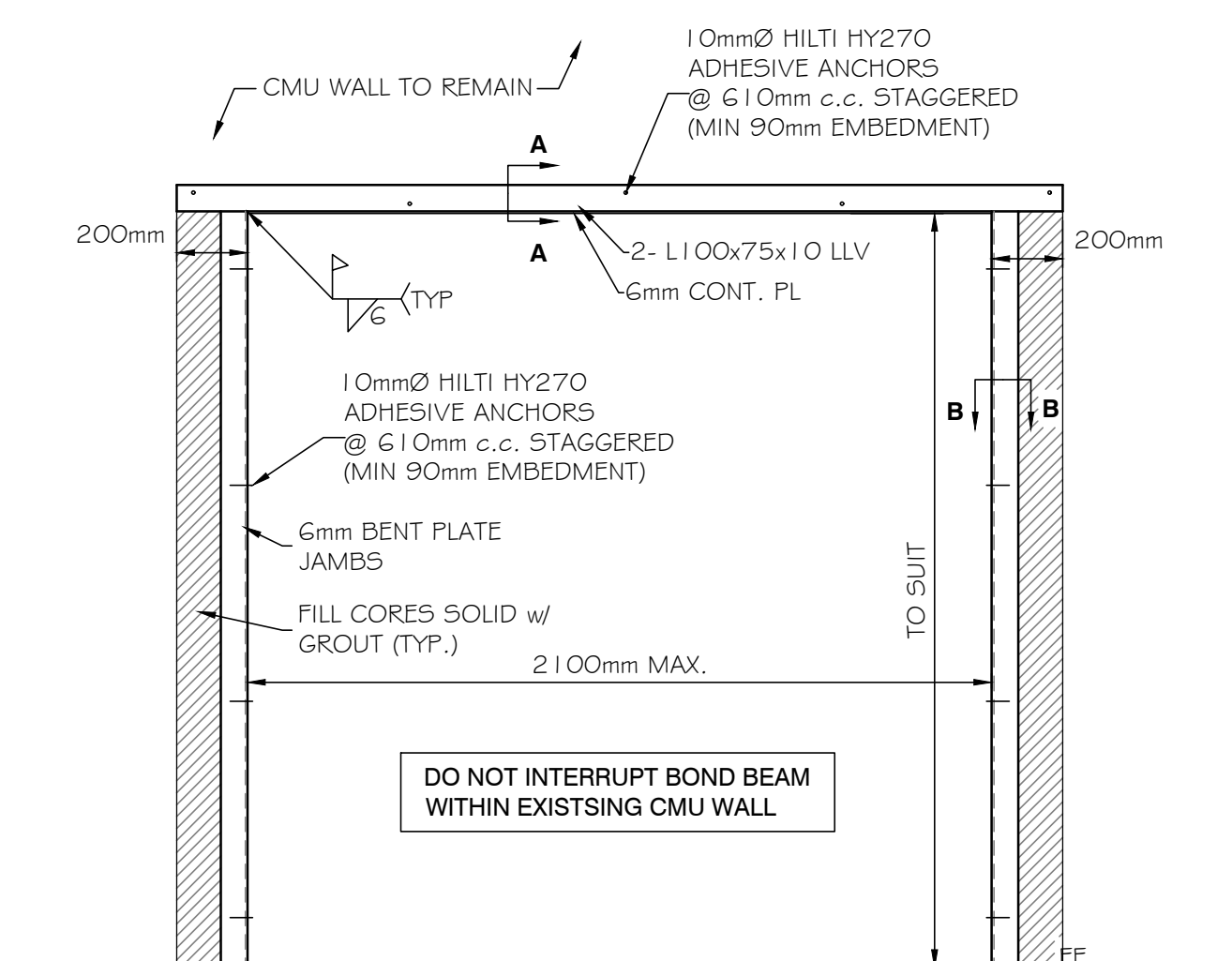
SECTION OF REMOVALS

SCALE: 1:20



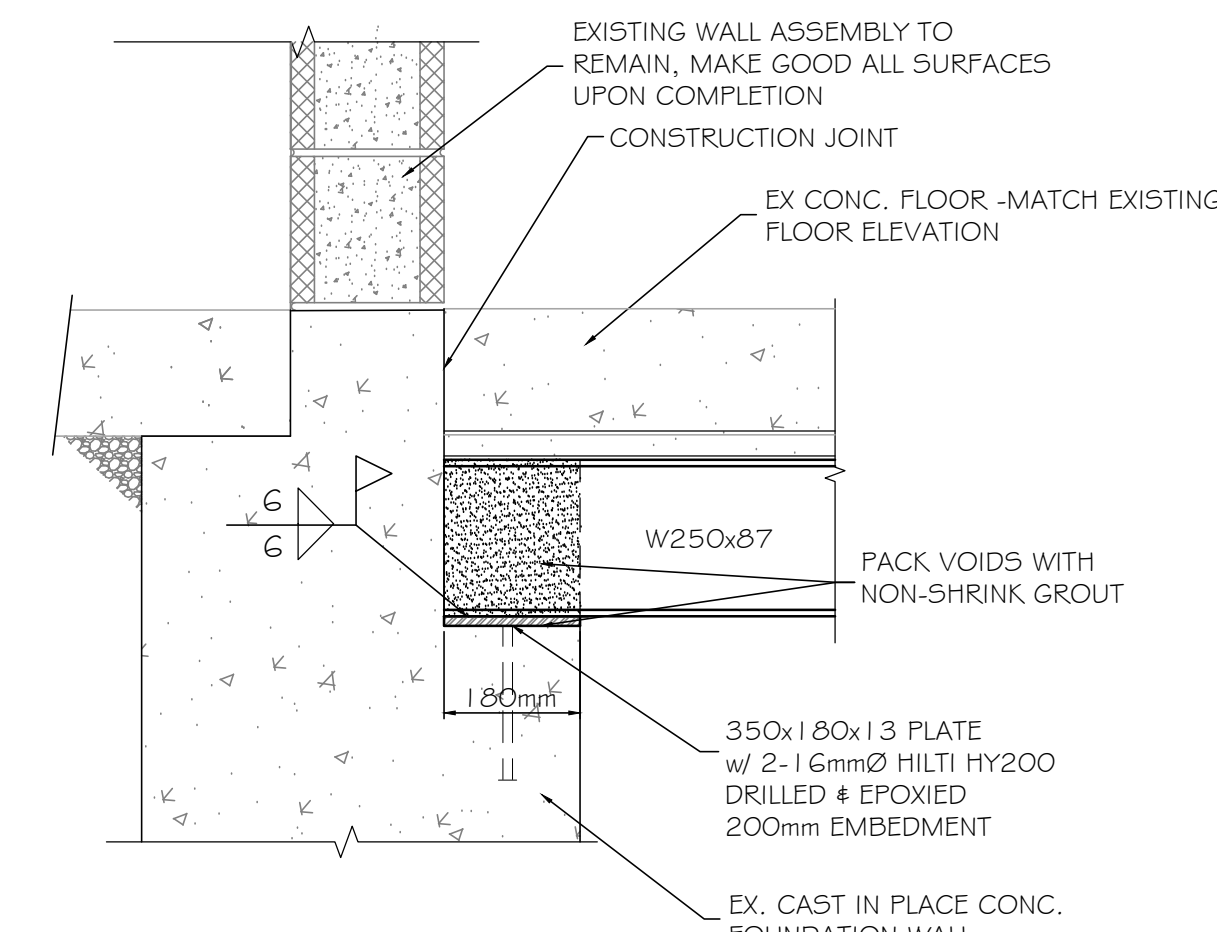
TYPICAL AHU WALL OPENING DETAILS

SCALE: 1:20



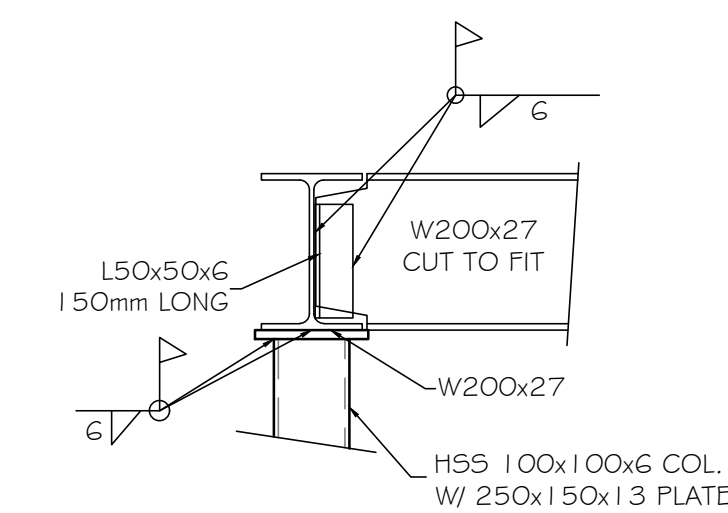
NEW CMU OPENING ELEVATION

SCALE: 1:20



BEAM POCKET DETAIL

SCALE: 1:10



W200x27 to W200x27

SCALE: 1:10

No.	By	Date	Revisions
3	B.O.B.	2020 02 11	REVISED FLOOR HATCH
2	B.O.B.	2020 01 08	REVISED SUSPENDED SLAB
1	B.O.B.	2019 12 10	ISSUED FOR PERMIT
0	B.O.B.	2019 11 11	FOR REVIEW

All drawings, specifications and related documents are the copyright property of the Engineer and must be returned upon request. Reproduction of drawings, specifications, and related documents in part or whole is forbidden without the Engineer's written permission.
The contractor must check and verify all dimensions on the job prior to start of construction.
DRAWINGS ARE NOT TO BE SCALED



EASTERN ENGINEERING GROUP INC.
CONSULTING ENGINEERS
Apex Building 100 Strowger Blvd. Suite 207 Brockville, Ont. K6V 5J9
Telephone: (613) 345-0400
Facsimile: (613) 345-0008
www.EastEng.com

Project Title:
YARKER DAYCARE
4513 CTY. RD.#1
YARKER, ONTARIO.

Drawing Title:
CMU LINTEL & FLOOR INFILL DETAILS AND ELEVATIONS

Design: B.D.C.	Checked: B.D.C.	Approved: B.D.C.	Project No.: 9003
Drawn: B.O.B.	Checked:	Date: 2019 11 11	Contract No.:
Scale:	Drawing No.:		S2
Horizontal: AS SHOWN	Vertical: AS SHOWN		

REV DATE: 21112020